

CJ6300 Series

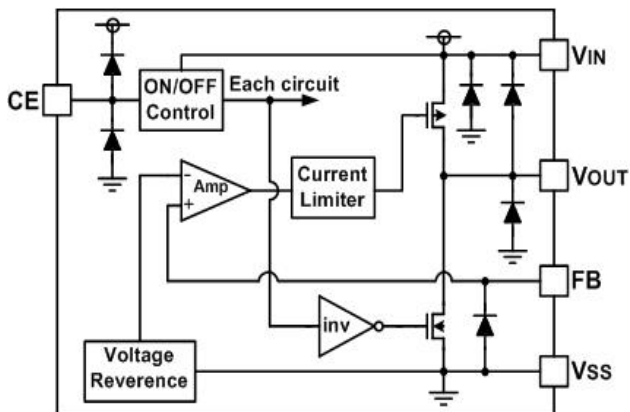
■ INTRODUCTION

The CJ6300 series are a group of positive voltage regulators manufactured by CMOS technologies with high ripple rejection, ultra low noise, low power consumption and low dropout voltage, which can prolong battery life in portable electronics. The CJ6300 series work with low-ESR ceramic capacitors, reducing the amount of board space necessary for power applications. The CJ6300 series consume less than 0.1μA in shutdown mode and have fast turn-on time less than 50μs. The series are very suitable for the battery-powered equipments, such as RF applications and other systems requiring a quiet voltage source.

■ APPLICATIONS

- RF: VCOs, Receivers, ADCs
- Cellular and Cordless Telephones
- Handheld Organizers

■ BLOCK DIAGRAM



■ FEATURES

- 500mA RF Low-Dropout Regulator With Enable
- Ultralow-Noise: 40μV_{RMS}(10Hz~100kHz)
- High PSRR: 70dB@1kHz
- Fast Start-Up Time (20μs)
- Excellent Load/Line Transient Response
- Low Dropout Voltage: 110mV@100mA
- Stable With a 1μF Ceramic Capacitor
- Available in Adjustable Voltage Version (0.6V to 5.5V)
- Built-in Current Limiter, Short-Circuit Protection

- Audio
- Bluetooth, Wireless LAN
- Tablet, MID

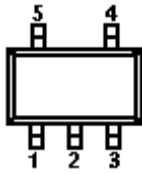
■ ORDER INFORMATION

CJ6300 ①②

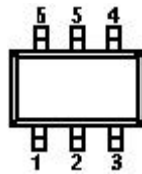
DESIGNATOR	SYMBOL	DESCRIPTION
①	B	High Active, pull-down resistor built in, with C _{OUT} discharge resistor
②	M/E	Package: SOT-23-5L/6L
	N	Package: WBHFBP-06L

■ PIN CONFIGURATION

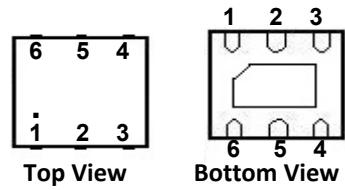
SOT-23-5L



SOT-23-6L



WBHFBP-06L



SOT-23-5L

PIN NUMBER		PIN NAME	FUNCTION
M			
1		V_{IN}	Power input Pin
2		V_{SS}	Ground
3		CE	Chip Enable Pin
4		FB	Feedback Pin: Used to Set Output Voltage
5		V_{OUT}	Output Pin

SOT-23-6L /WBHFBP-06L

PIN NUMBER		PIN NAME	FUNCTION
E	N		
1	3	V_{IN}	Power input Pin
2	2	V_{SS}	Ground
3	1	CE	Chip Enable Pin
5	6	FB	Feedback Pin: Used to Set Output Voltage
6	4	V_{OUT}	Output Pin
4	5	NC	Not Connection
-	7		Thermal Pad

■ TYPICAL APPLICATION

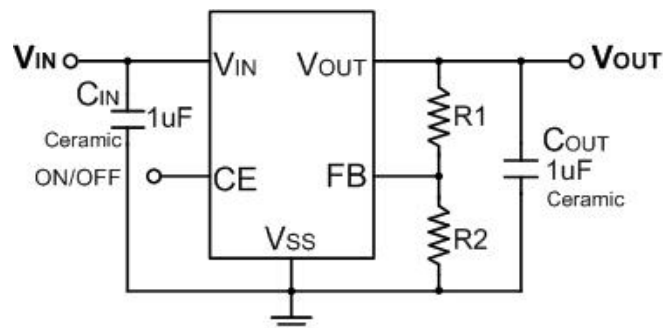


Fig.1 Typical Application Circuit

Electrical Characteristics

■ ABSOLUTE MAXIMUM RATINGS

(Unless otherwise specified, $T_A=25^{\circ}\text{C}$)

PARAMETER		SYMBOL	RATINGS	UNITS
Input Voltage		V_{IN}	$V_{SS} - 0.3 \sim V_{SS} + 8$	V
Output Current		I_{OUT}	750	mA
Output Voltage		V_{OUT}	$V_{SS} - 0.3 \sim V_{IN} + 0.3$	V
Power Dissipation	SOT-23-5L	P_d	400	mW
	SOT-23-6L	P_d	400	mW
	WBHFBP-06L	P_d	300	mW
Operating Ambient Temperature		T_A	$-40 \sim +85$	$^{\circ}\text{C}$
Operating Junction Temperature		T_J	$-40 \sim +125$	$^{\circ}\text{C}$
Storage Temperature		T_{stg}	$-40 \sim +125$	$^{\circ}\text{C}$
Soldering Temperature & Time		T_{solder}	$260^{\circ}\text{C}, 10\text{s}$	

■ ELECTRICAL CHARACTERISTICS

($V_{IN}=V_{OUT}+1\text{V}$, $C_{IN}=C_{OUT}=1\mu\text{F}$, $T_A=25^{\circ}\text{C}$, unless otherwise specified)

PARAMETER	SYMBOL	CONDITIONS	MIN.	TYP.	MAX.	UNITS
Input Voltage	V_{IN}	—	1.8 ⁽¹⁾		7.0	V
Output Current	I_{OUT}	$V_{OUT} \geq 1.8\text{V}$	500			mA
Supply Current	I_{SS}	$I_{OUT}=0\text{mA}$		45	80	μA
Standby Current	I_{STBY}	$V_{CE}=0\text{V}$			0.1	μA
CE "High" Voltage	V_{CEH}		1.2		V_{IN}	V
CE "Low" Voltage	V_{CEL}				0.3	V
CE pin current		$V_{CE}=0\text{V}$	-1		1	μA
FB Voltage	V_{FB}	$I_{OUT}=1\text{mA}$	0.588	0.600	0.612	V
FB pin current		$V_{FB}=1.8\text{V}$			1	μA
Output voltage range			0.6		$5.5 - V_{DO}$	V
Line Regulation	$\frac{\Delta V_{OUT}}{V_{OUT} \times \Delta V_{IN}}$	$I_{OUT} = 10\text{mA}$ $V_{OUT} + 1\text{V} \leq V_{IN} \leq 7\text{V}$		0.01	0.2	%/V
Load Regulation	ΔV_{OUT}	$V_{IN} = V_{OUT} + 1\text{V}$, $1\text{mA} \leq I_{OUT} \leq 100\text{mA}$		1		mV
Dropout Voltage ⁽²⁾	V_{dif}	$I_{OUT} = 100\text{mA}$ $V_{OUT} \geq 3.0\text{V}$		110		mV
Output Voltage Temperature Characteristics	$\frac{\Delta V_{OUT}}{\Delta T \times V_{OUT}}$	$I_{OUT} = 10\text{mA}$ $-40 \leq T \leq +85$		50		ppm
Current Limit	I_{LIM}		600	750		mA
Short Current	I_{SHORT}	$V_{OUT} = V_{SS}$		20		mA
Power Supply Ripple Rejection	$V_{OUT} = 1.2\text{V}$	PSRR	$f=100\text{Hz}, I_{OUT}=50\text{mA}$	80		dB
			$f=1\text{kHz}, I_{OUT}=50\text{mA}$	70		
			$f=10\text{kHz}, I_{OUT}=50\text{mA}$	50		
Output noise voltage		BW=10Hz to 100kHz, $I_{OUT}=10\text{mA}$		40		μV_{RMS}
Time, start-up		$I_{OUT}=0\text{mA}, C_{OUT}=1\mu\text{F}$		20		μs

Electrical Characteristics

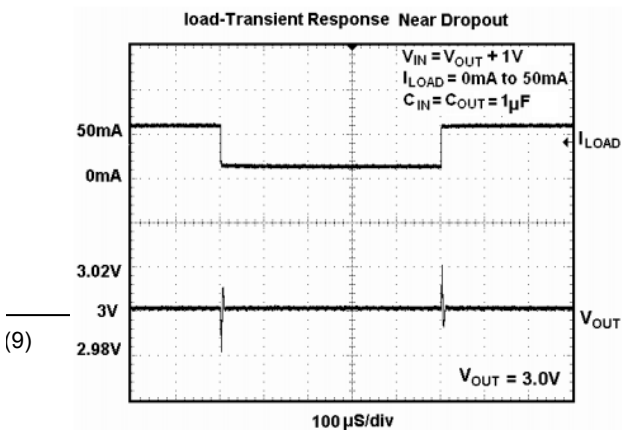
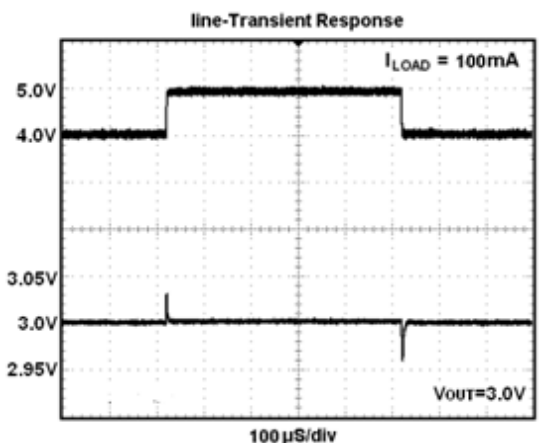
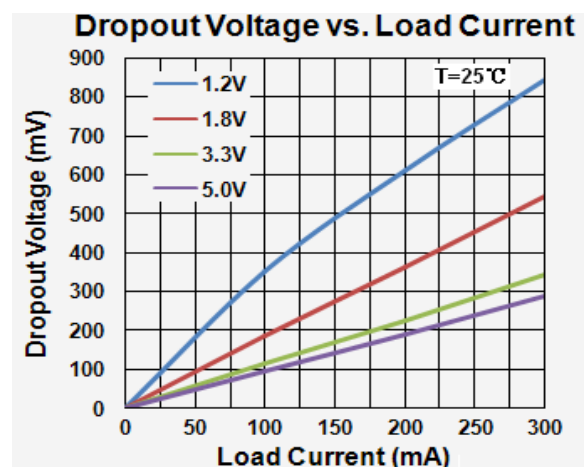
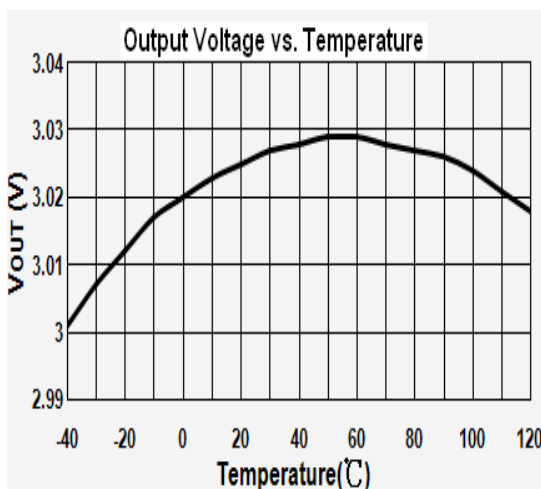
NOTE:

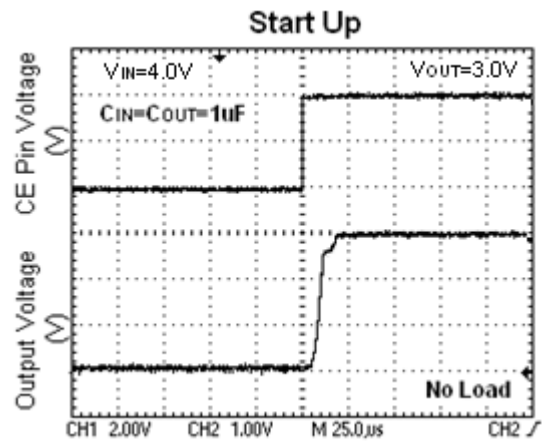
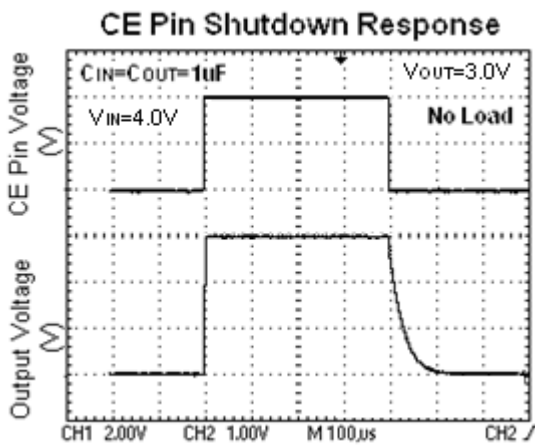
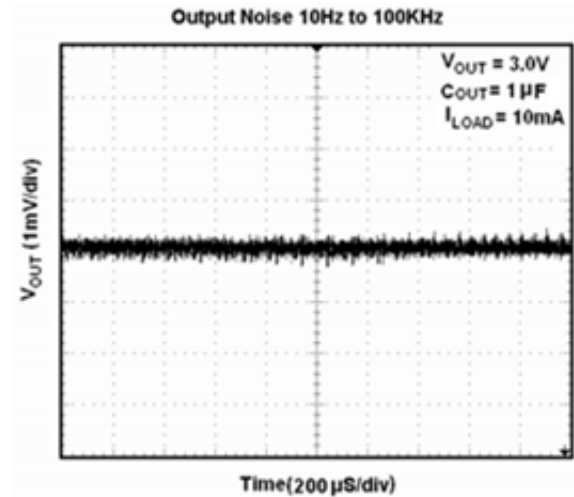
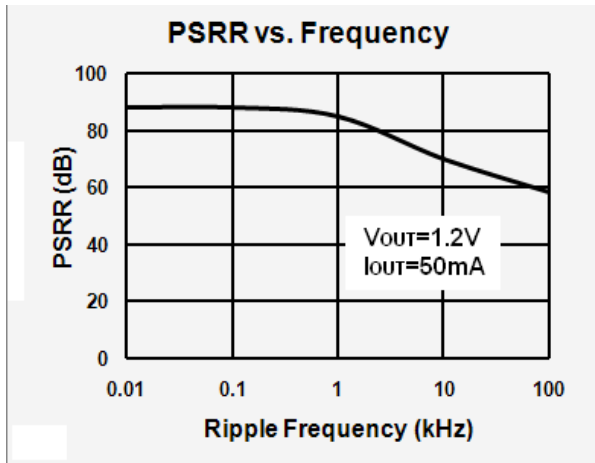
- (1) Minimum V_{IN} is 1.8V or $V_{OUT} + V_{DO}$, whichever is greater.
- (2) V_{dif} : The difference of output voltage and input voltage when input voltage is decreased gradually till output voltage equals to 98% of V_{OUT} (E).

■ DROPOUT VOLTAGE CHART

Setting Output Voltage	Dropout Voltage (mV) Typ.			
$V_{OUT}(V)$	$I_{OUT}=100mA$	$I_{OUT}=200mA$	$I_{OUT}=300mA$	$I_{OUT}=500mA$
1.2	380mV	640mV	880mV	
1.5	250mV	480mV	680mV	
1.8	190mV	380mV	570mV	950mV
2.1	155mV	310mV	470mV	820mV
2.5	130mV	260mV	400mV	700mV
2.8	120mV	240mV	360mV	640mV
3.0	110mV	230mV	350mV	610mV
3.3	105mV	210mV	320mV	570mV
3.6	100mV	200mV	310mV	540mV
4.0	95mV	185mV	290mV	500Mv
4.5	90mV	180mV	280mV	470mV
5.0	85mV	170mV	260mV	440mV

■ TYPICAL PERFORMANCE CHARACTERISTICS





■ APPLICATION INFORMATION

Setting The Output Voltage

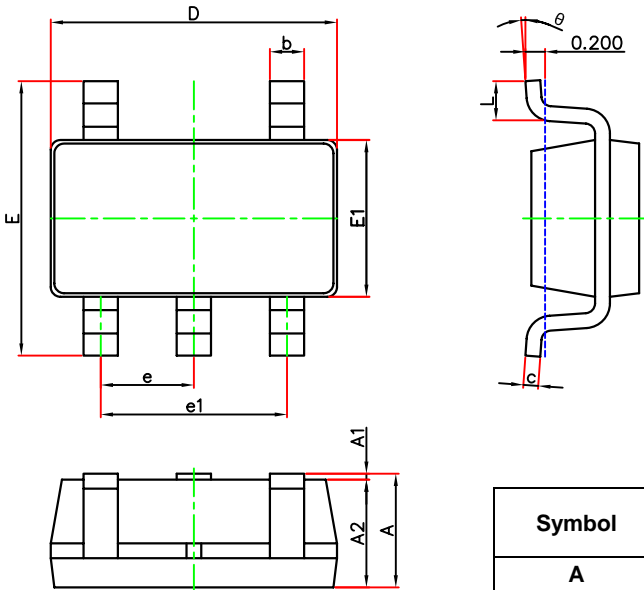
Figure 1 shows the typical application circuit with CJ6300 . The external resistor sets the output voltage according to the following equation:

$$V_{OUT} = 0.6V \times \left(1 + \frac{R1}{R2}\right)$$

Table 1.Resistor select for output voltage setting

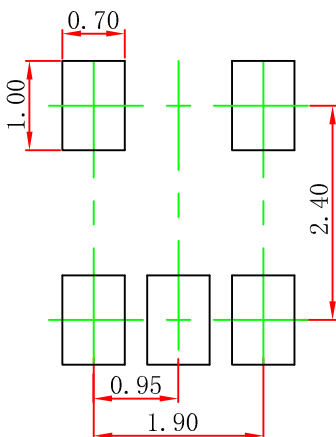
V_{OUT}	R1	R2
1.2V	30.1K	30.1K
1.5V	45.3K	30.1K
1.8V	60.4K	30.1K
2.5V	95.3K	30.1k
2.8V	110K	30.1k
3.0V	120K	30.1K
3.3V	137K	30.1K
5.0V	221K	30.1k

SOT-23-5L Package Outline Dimensions



Symbol	Dimensions In Millimeters		Dimensions In Inches	
	Min.	Max.	Min.	Max.
A	1.050	1.250	0.041	0.049
A1	0.000	0.100	0.000	0.004
A2	1.050	1.150	0.041	0.045
b	0.300	0.500	0.012	0.020
c	0.100	0.200	0.004	0.008
D	2.820	3.020	0.111	0.119
E	2.650	2.950	0.104	0.116
E1	1.500	1.700	0.059	0.067
e	0.950(BSC)		0.037(BSC)	
e1	1.800	2.000	0.071	0.079
L	0.300	0.600	0.012	0.024
θ	0°	8°	0°	8°

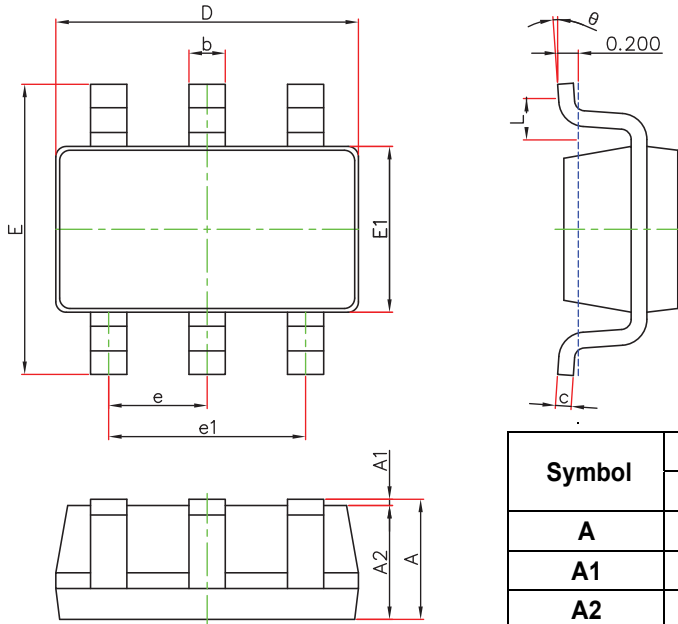
SOT-23-5L Suggested Pad Layout



Note:

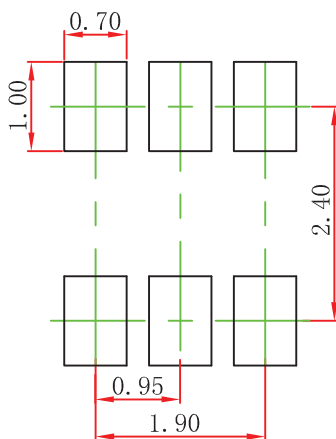
1. Controlling dimension: in millimeters.
2. General tolerance: $\pm 0.05\text{mm}$.
3. The pad layout is for reference purposes only.

SOT-23-6L Package Outline Dimensions



Symbol	Dimensions In Millimeters		Dimensions In Inches	
	Min	Max	Min	Max
A	1.050	1.250	0.041	0.049
A1	0.000	0.100	0.000	0.004
A2	1.050	1.150	0.041	0.045
b	0.300	0.500	0.012	0.020
c	0.100	0.200	0.004	0.008
D	2.820	3.020	0.111	0.119
E	2.650	2.950	0.104	0.116
E1	1.500	1.700	0.059	0.067
e	0.950(BSC)		0.037(BSC)	
e1	1.800	2.000	0.071	0.079
L	0.300	0.600	0.012	0.024
θ	0°	8°	0°	8°

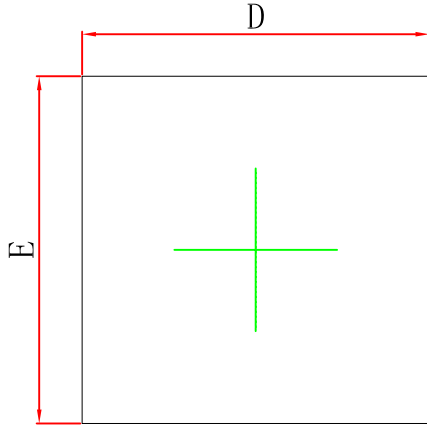
SOT-23-6L Suggested Pad Layout



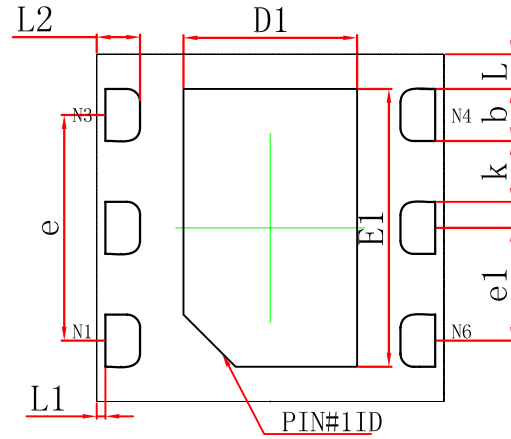
Note:

1. Controlling dimension: in millimeters.
2. General tolerance: ± 0.05 mm.
3. The pad layout is for reference purposes only.

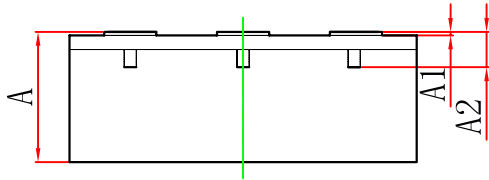
WBHFBP-06L Package Outline Dimensions



Top View



Bottom View



Side View

Symbol	Dimensions In Millimeters		Dimension In Inches	
	Min.	Max.	Min.	Max.
A	0.700	0.800	0.028	0.031
A1	0.000	0.050	0.000	0.002
A2	0.203REF		0.008REF	
D	1.950	2.050	0.077	0.081
E	1.950	2.050	0.077	0.081
D1	0.950	1.050	0.037	0.041
E1	1.550	1.650	0.061	0.065
b	0.250	0.350	0.010	0.014
e	1.300REF		0.051REF	
e1	0.650BSC		0.026BSC	
k	0.350REF		0.014REF	
L	0.200REF		0.008REF	
L1	0.050REF		0.002REF	
L2	0.200	0.300	0.008	0.012

DISCLAIMER

IMPORTANT NOTICE, PLEASE READ CAREFULLY

The information in this data sheet is intended to describe the operation and characteristics of our products. JSCJ has the right to make any modification, enhancement, improvement, correction or other changes to any content in this data sheet, including but not limited to specification parameters, circuit design and application information, without prior notice.

Any person who purchases or uses JSCJ products for design shall: 1. Select products suitable for circuit application and design; 2. Design, verify and test the rationality of circuit design; 3. Procedures to ensure that the design complies with relevant laws and regulations and the requirements of such laws and regulations. JSCJ makes no warranty or representation as to the accuracy or completeness of the information contained in this data sheet and assumes no responsibility for the application or use of any of the products described in this data sheet.

Without the written consent of JSCJ, this product shall not be used in occasions requiring high quality or high reliability, including but not limited to the following occasions: medical equipment, automotive electronics, military facilities and aerospace. JSCJ shall not be responsible for casualties or property losses caused by abnormal use or application of this product.

Official Website: www.jscj-elec.com

Copyright © JIANGSU CHANGJING ELECTRONICS TECHNOLOGY CO., LTD.