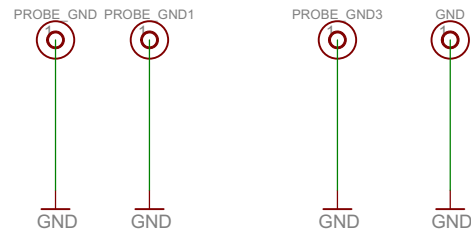
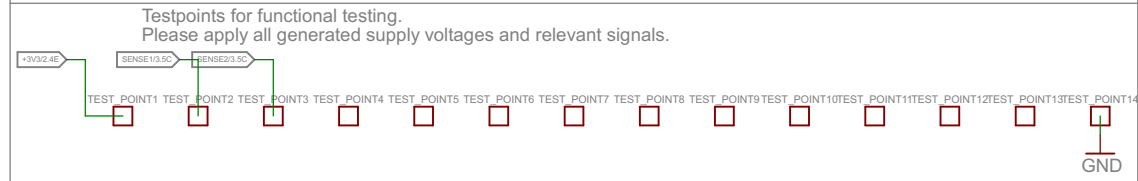
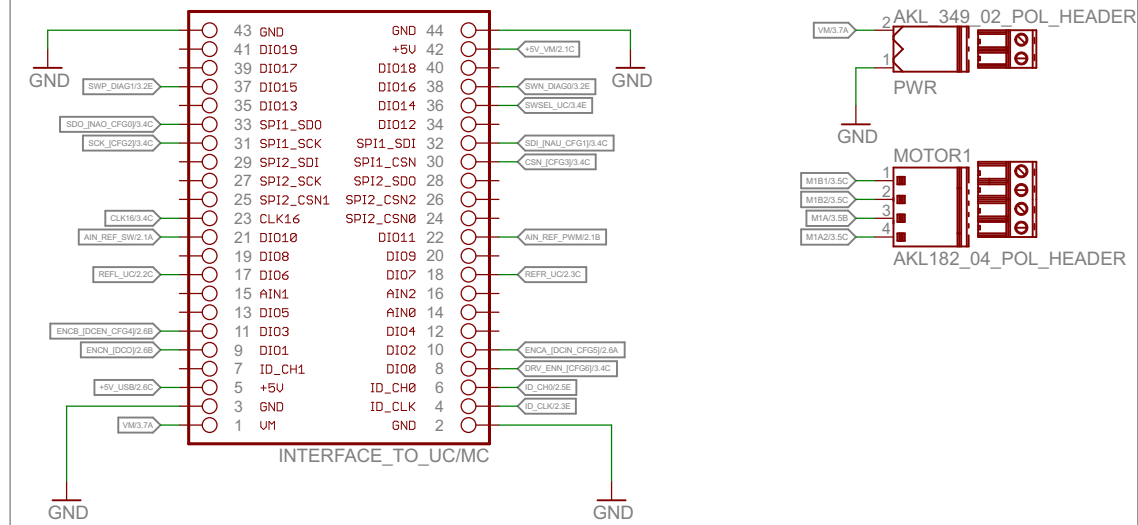


Changes to v14 (2015-06-03)
 - Adapted drill for alignment pin of INTERFACE_TO_UC
 - added optional headers for Serial Wire Interface



Please keep positions of all interconnectors if not absolutely impossible.

← uC



Driver Board



